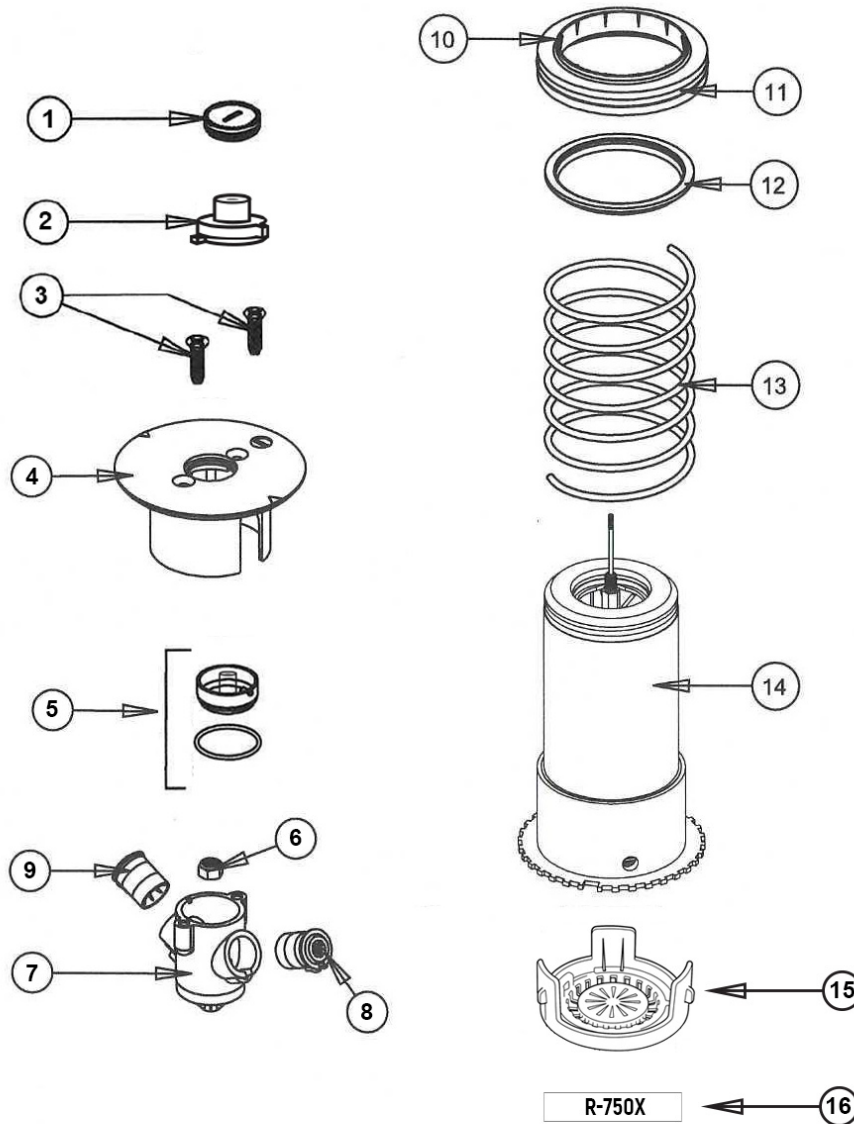


INS-R-750X

P/N DI750RX2514



| ITEM | PART NO. | DESCRIPTION |
|------|---------------|---------------------------|
| 1 | 80254528 | EASY-ARC, CAP |
| 2 | MBH901 | EASY-ARC |
| 3 | 9001023 | SCREW, CAP |
| 4 | RB-750 | CAP PC. |
| 5 | 70254820 SUB | EASY-ARC HUB ASSY |
| 6 | 9001003 | NUT |
| 7 | 70254609 | NOZZLE BASE ASSEMBLY DUAL |
| 8 | 80254649 | NOZZLE, 25 BLUE |
| 9 | 80254550 | NOZZLE, BACK, 14, YELLOW |
| 10 | 80254811 | SPRING RETAINER |
| 11 | 9001014A | O-RING SPRING RETAINER |
| 12 | 80254642 | RISER SEAL |
| 13 | 9001013 | SPRING RISER |
| 14 | 70254310 MAPC | RISER ASSEMBLY PC |
| 15 | 80255530 | SCREEN INTLET |
| 16 | INS-R-750X | CAP LABEL |

| NOZZLE KIT (NKRX2) | |
|--------------------|-------------------------|
| 80254619 | NOZZLE, BACK, 08, BLACK |
| 80254620 | NOZZLE, BACK, 12, GRAY |
| 80254450 | SNAP RING |
| 99903381 | INSTALLATION CARD |
| 8000022 | INSTALLATION CARD X2 |